



YLI ELECTRONIC



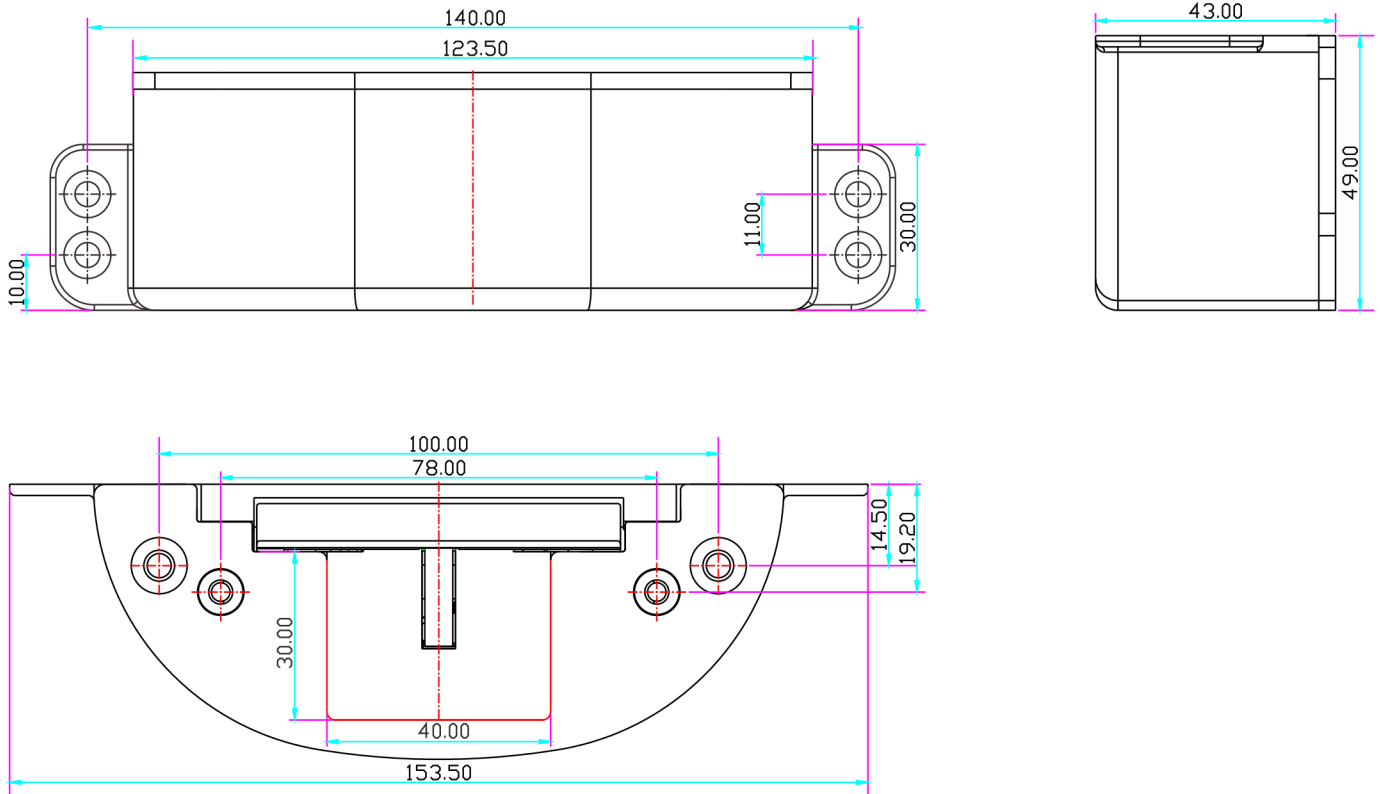
Electric Strike for Push Bar

Model:YS-622-S

Specification

Dimension	153.5Lx43Wx49H(mm)
Voltage	12V/320mA
Bolt Material	Harden 304 Stainless Steel
Feature	Fail Safe / Fail Secure adjustable
Signal Output	Door sensor(NO/NC/COM)
Suitable for	European & American fire push bar
Special design	Applies to all brands of fire push rod lock
Durable design	Mechanical test: 1, 000, 000 times
Door Swing	90 degrees
Weight	0.52kg

Diagram(unit:mm)



Signal Output

N.C. contact or access relay for fail safe setting.
 N.O. contact or access relay for fail secure setting.

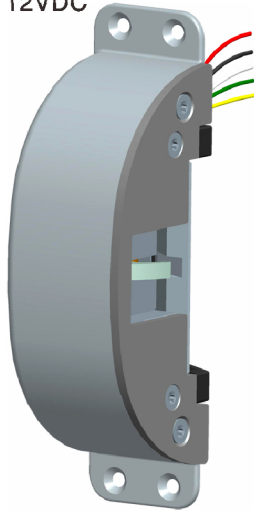
Green: NO
 White: COM
 Yellow: NC

Door Status

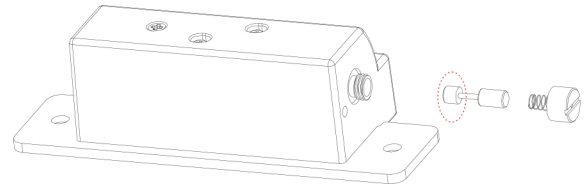
N.C. contact output : open status
 N.O. contact output : closed status

Red: +
 Black: -

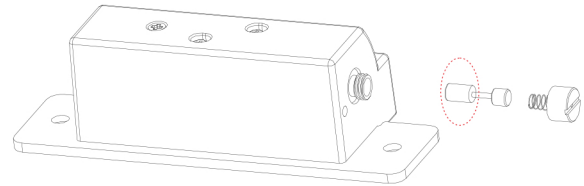
12VDC



Function Conversion

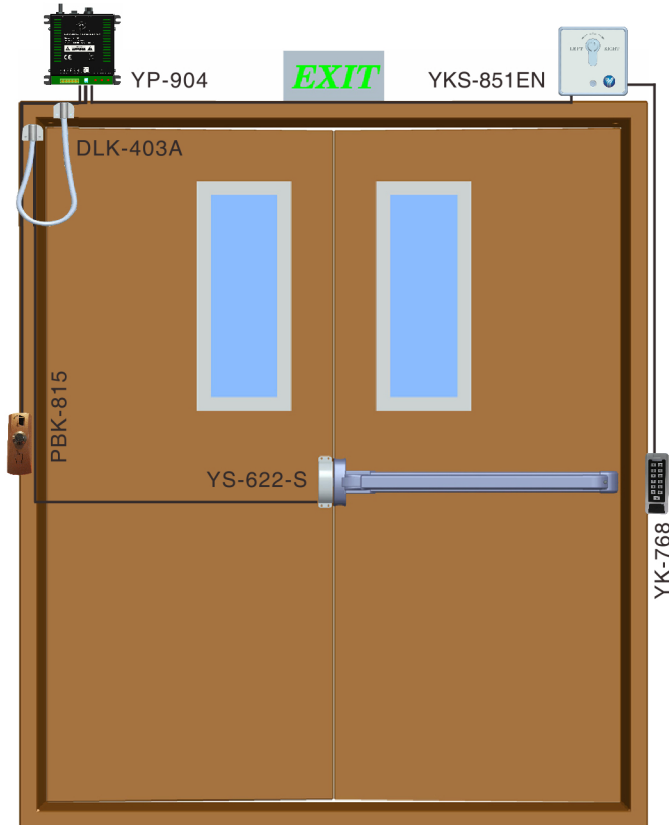


unscrew the nut to adjust the security mode, the short end of the screw for NO mode



unscrew the nut to adjust the security mode, the long end of the screw for NC mode

Installation Diagram



Overall Dimensions

