



Magnetic Lock for Auto-Door

Model:YD-608

Basic Instruction

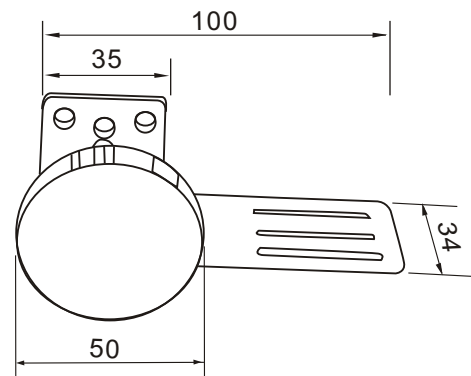
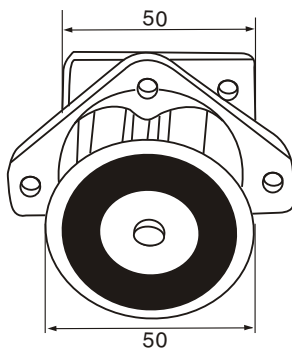
Special design and suitable for any auto-door
The standard voltage is 12VDC when produce
No Fault Diagnosis,safety,durable

Professional design,install easily,adjust convenient
Selected product by Auto-door manufacturer

Specifications

- Lock Size: 70Lx70Wx58H(mm)
- Armature plate: 100Lx53Wx50H(mm)
- Holding Force: 70kg(150Lbs)
- Voltage: 12VDC+10%(24VDC need order)
- Current Draw: 12V/180mA 24V/120mA
- Suitable for: Auto-door
- Surface Temp: 50°
- Operating Temp: -10~+55°C(14-131F)
- Suitable Humidity: 0~90%(relative humidity)
- Surface Treatment: High Temperature Paint and
- Environmental Protection Zin
- Weight: 0.8kg

Dimension



Installation

