



YLI ELECTRONIC

Floor and Wall Mount Door Holder with Signal



Model: YD-605-S

Basic Instruction

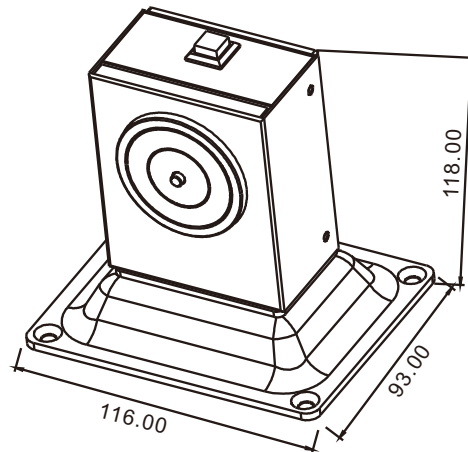
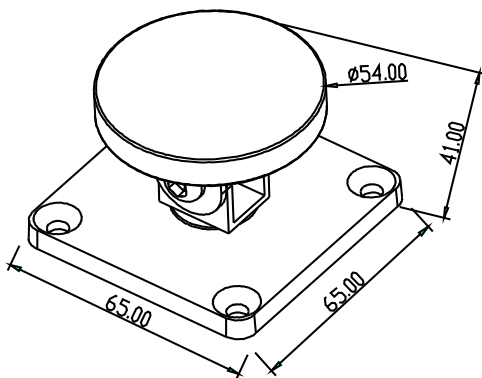
24VDC(12/24VDC need order)
Emergency Release Button/Test Button
Wall Mounting Direction

Low Current Consumption
Reliable Fail-Safe Mechanism
Durable and Silence Operation

Specifications

- Dimensions: 116Lx93Wx118H(mm)
- Voltage: 24VDC
- Current Draw: 70mA
- Signal output: Green: NO/Yellow: NC/White: COM
- Optional: Manual door release button
- Surface Temp: $\leq +20^{\circ}\text{C}$
- Operating Temp: $-10 \sim +55^{\circ}\text{C}$ (14-131F)
- Weight: 1.4kg
- Holding Force: 50kg(110Lbs)
- Suitable for: All Kinds of Single(Double) Smokeproof Door
- Suitable Humidity: 0~90%(relative humidity)
- Finishes for Shell: High Temperature Paint and Environmental Protection Zinc
- Finishes for Armature: Chromium

Dimension



Installation

Remarks:

1. The default setting is 24VDC.
2. Red wire is +, black wire is -.
3. Release the red button by hand in emergency.

