



YLI ELECTRONIC

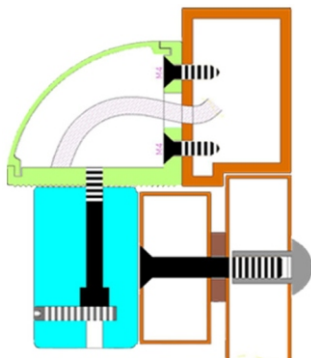
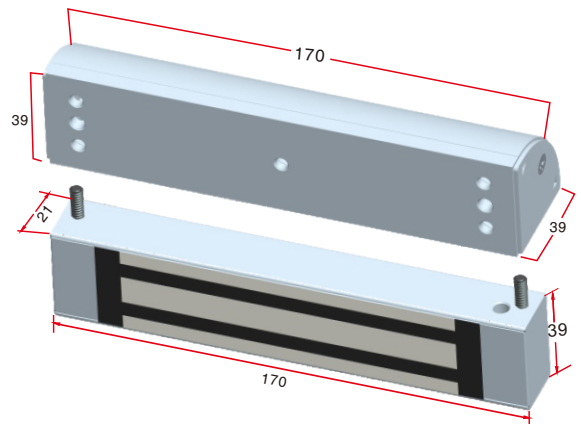
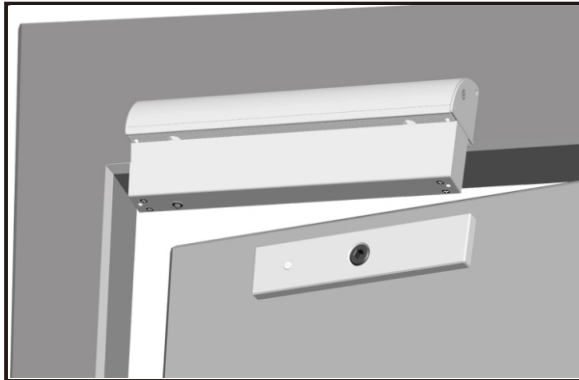


# LC Bracket for EM Lock

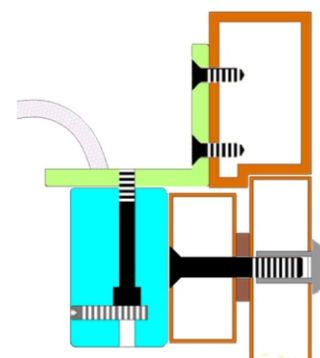
## Specification

| Model       | Size(unit:mm) | Suitable For                     | Used With  | Weight |
|-------------|---------------|----------------------------------|--|--------|
| MBK-180LC   | 170Lx39Wx39H  | Frameless glass door<br>(8-15mm) | YM-180, YM-180D  | 0.22kg |
| MBK-280LC   | 250Lx48Wx42H  | Frameless glass door<br>(8-15mm) | YM-280, YM-280(LED), YM-280T(LED)<br>YM-280D, YM-280D(LED), YM-280TD(LED)                        | 0.42kg |
| MBK-350LC   | 285Lx48Wx42H  | Frameless glass door<br>(8-15mm) | YM-350, YM-350(LED), YM-350T(LED)<br>YM-350BZ, YM-350D, YM-350D(LED)<br>YM-350TD(LED), YM-350DBZ | 0.49kg |
| MBK-350LC-W | 228Lx48Wx42H  | Frameless glass door<br>(8-15mm) | YM-350W, YM-350W-S   | 0.42kg |

## Installation



The power cable can be concealed inside the new type LC bracket , it is elegant and the cable can be protected



The power cable is exposed outside when installing the old type L bracket , it is not elegant and easy to be destroyed.