



YLI ELECTRONIC



# Intelligent electric lock

Model: ABK-703A

## Introduction

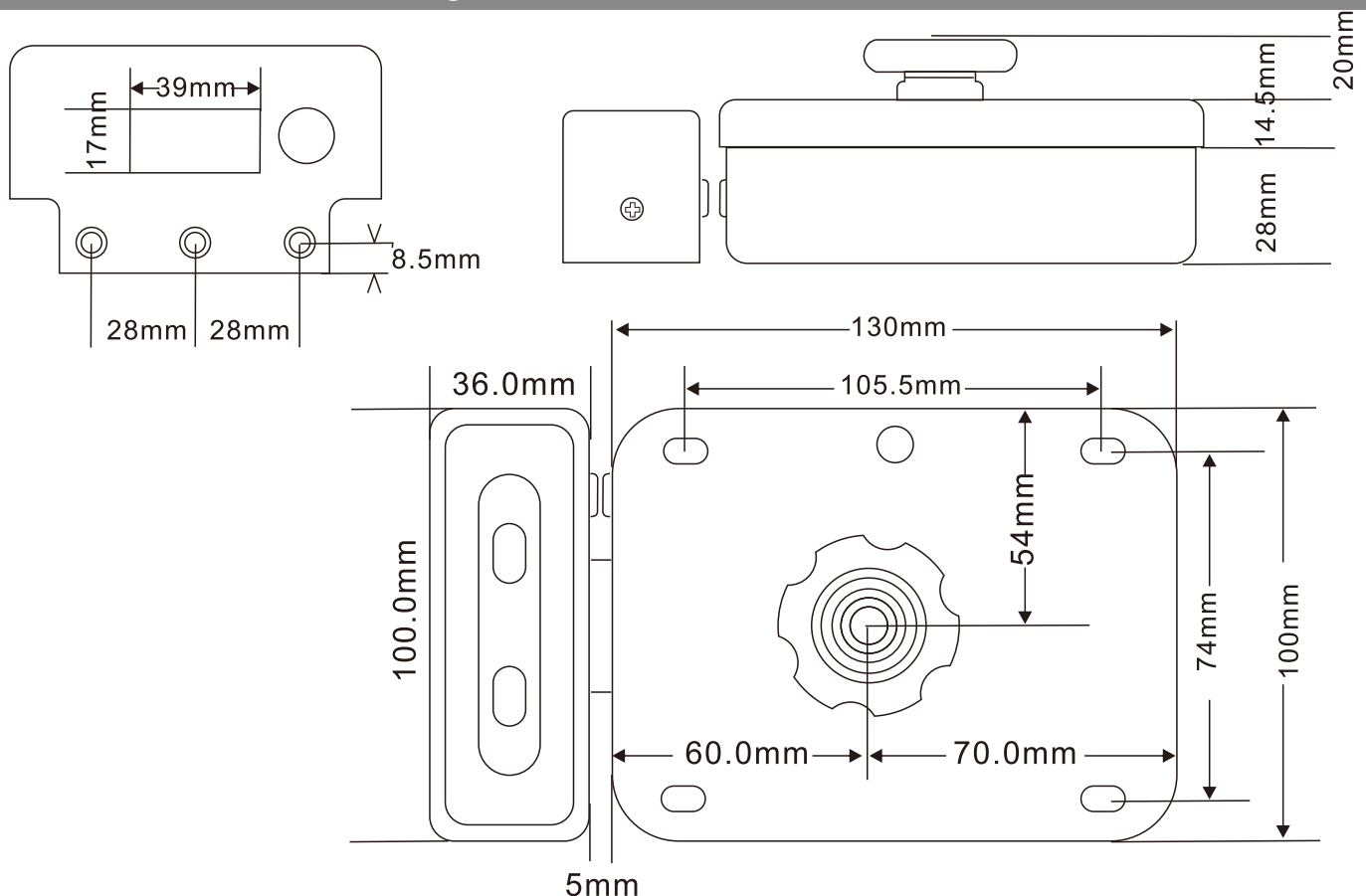
Intelligent motor electric locks (motor lock) is the company's new generation of intelligent electronic lock with self-closing lockable, door status auto-detect feature automatically corrects misuse, sensor, high sensitivity, low noise lock, safe and reliable.

**Note: the electric lock is not fire locks, absolutely not allowed to be installed on the fire escape door, or peril. Installation of electric lock is not allowed to fire welding, as a result of failure caused by fire welding power locks, the Company should be no warranty**

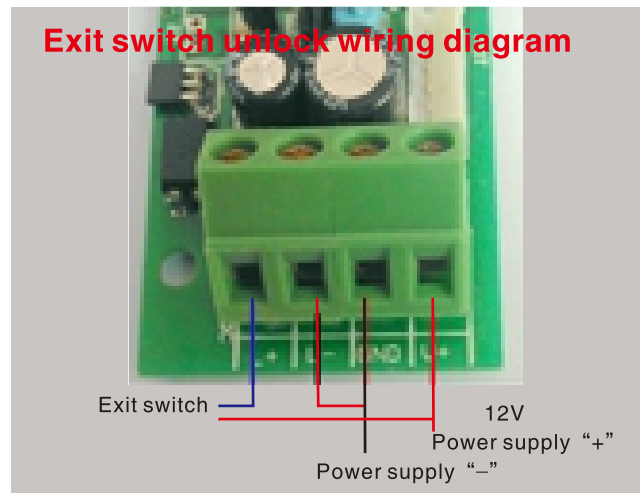
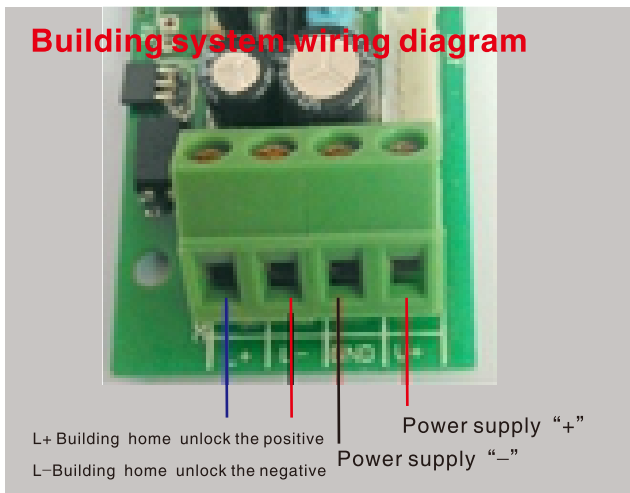
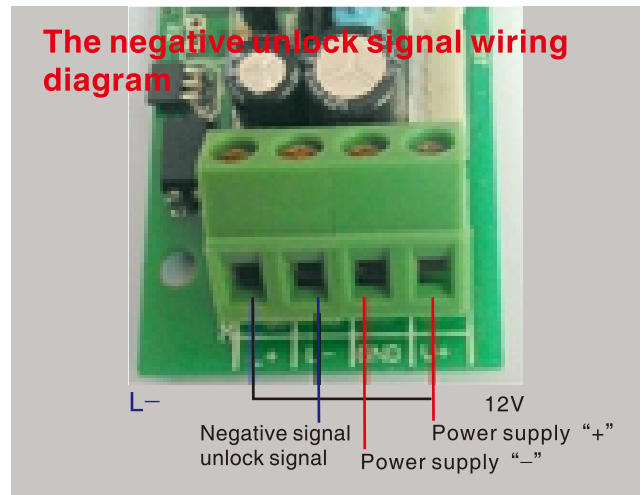
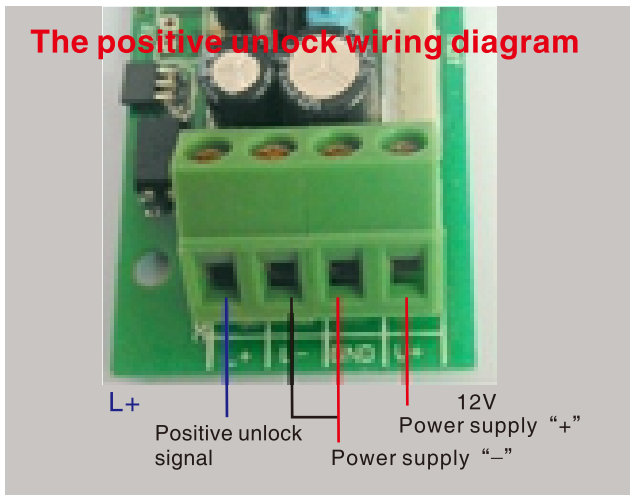
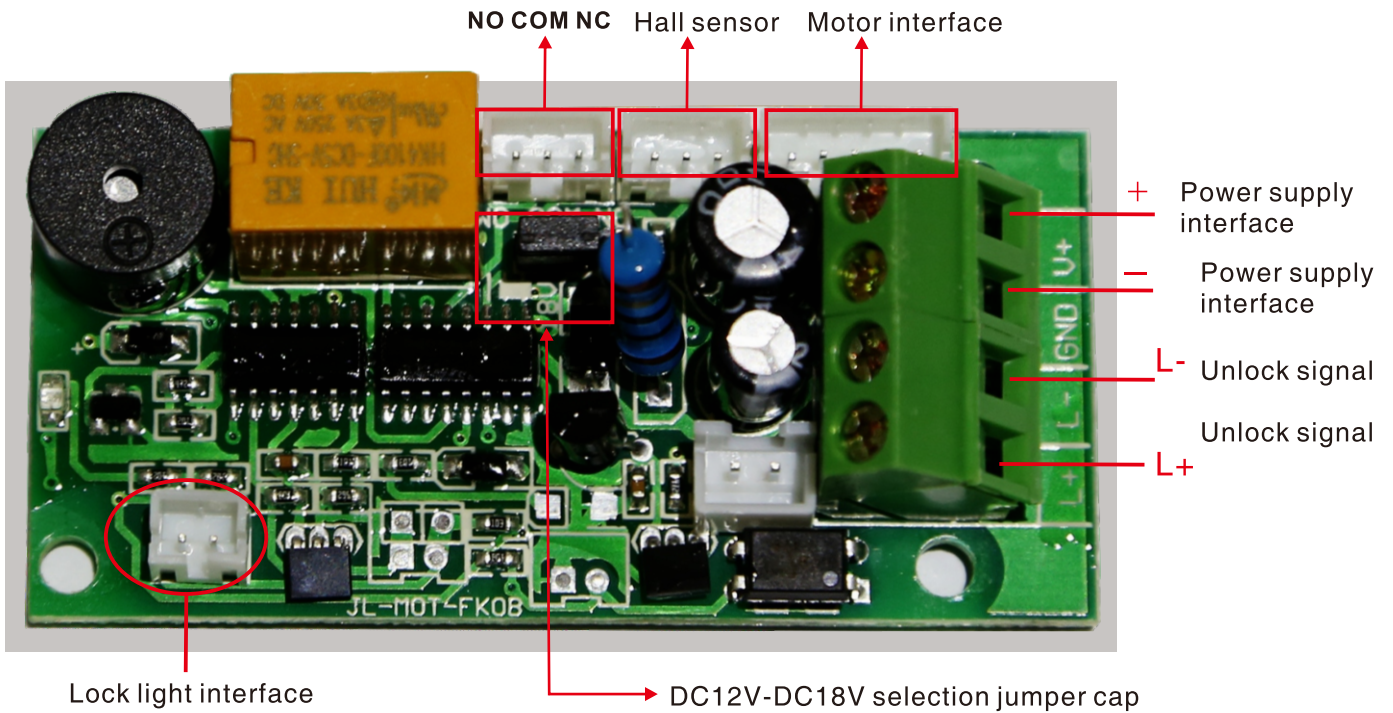
## Features

- The length of the lock tongue > 20mm, meet GA/T73-94 5.1.6B standard;
- Can be compatible with building system of entrance guard system, etc;
- Automatically detects the door status, automatic processing to open close the door;
- Can be installed on the left door, right door, interior door, outside the door and other doors.
- Mistakenly lock or unlock after no entry, the door automatically locked in around 9 seconds.
- Voltage DC12V-DC18V, start current < 350mA, standby current < 25mA, unlock time 1S.
- Working temperature range -20°C--60°C .
- Long life (more than 500,000), on / off, high sensitivity about ON/OFF, low power consumption.

## Installation Reference Diagram



# Control Panel Instruction of wiring



## Wiring instructions

### The positive unlock wiring diagram

**Note:** if you want to connect the positive unlock control signal, please lock the L - and GND terminal with a wire connection, otherwise unable to unlock.

### The negative unlock wiring diagram

**Note:** if you want to connect the cathode unlock control signal, please lock the L + terminal connect to 12 v with a wire, otherwise unable to open the lock.

### Building system wiring diagram

**Note:** if you want to connect the building host control signal, please lock the connection of L + connection with building hosts, lock connection of L - L - yu building host connection.

### Exit switch wiring diagram

**Note:** if you want to pick out the unlock switch control signal, please lock the L - and GND terminal with a wire connection, lock terminal + L and door switch is connected to one side, go out switch at the other end is connected to a 12 v.

## Installation Steps

1. Lock head, Check the insert locks until the end and shaft concentricity and insertion depth of the hole  $\geq 10\text{mm}$ .
2. Lock body (locks should be unlocked), use screws, not welded.
3. Vice lock, Ensure that Vice-lock sensor with the main lock body sensors in the same horizontal line, the master latch lock body free expansion to the secondary lock, lock body and vice distance  $\leq 8\text{mm}$  main lock body.
4. To determine the controller unlock way to select the correct connection method.
5. Install lock cover: pick up the power cord and debugging good lock function, lock tighten screw cap is good

### Check the power locking performance (DC12V-DC18V)

1. Shut the door, the lock tongue out automatically locked.
2. Unlock the lock signal to (building host or entrance guard system to unlock instructions or push button), the lock tongue retraction after opened the door and closed the door again
3. 1,2 repeated several times to confirm the lock tongue and the sub to ensure that the gap between the lock ON/OFF Normal operation.

### Simple problems to deal with

1. Not locked after closing:
  - A. Check whether the power supply is normal, whether the voltage is normal, the wiring is correct unlock signal instantaneous DC12V.
  - B. Check the door lock and vice lock gap is too large, the door sensor can't induction if gap is more than 8mm.
  - C. Check the lock body and vice lock body installation position is not accurate cause lock tongue sticking out lock.
2. Give unlock signal, but does not unlock
  - A. Check the wiring is correct
  - B. Check unlock voltage is correct, a voltage greater than the normal requirement unlock DC5V.
3. Manual unlocking is not flexible, cylinder rotating connectors have misplaced stuck, check whether the lock of a foreign body stuck phenomenon.

### Precautions

If use the power supply in DC15V - DC18V please select jumper cap to voltage 18 v, otherwise may damage the circuit board.

## Wiring Diagram

