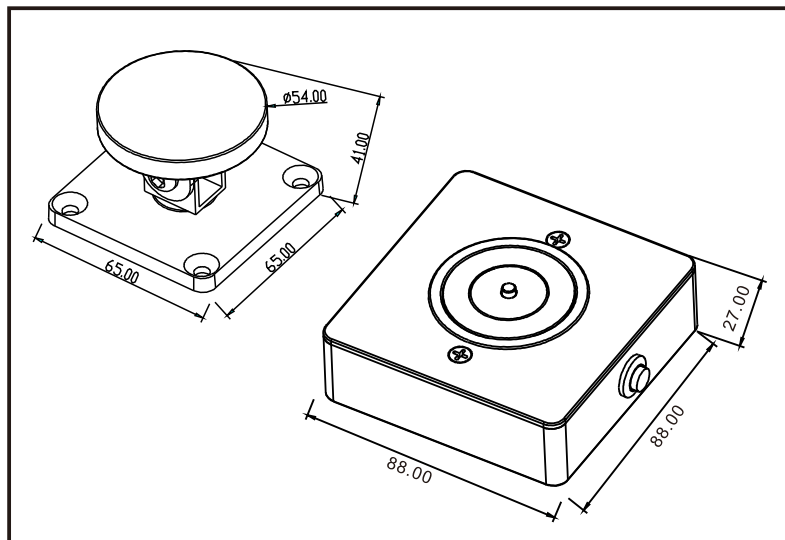
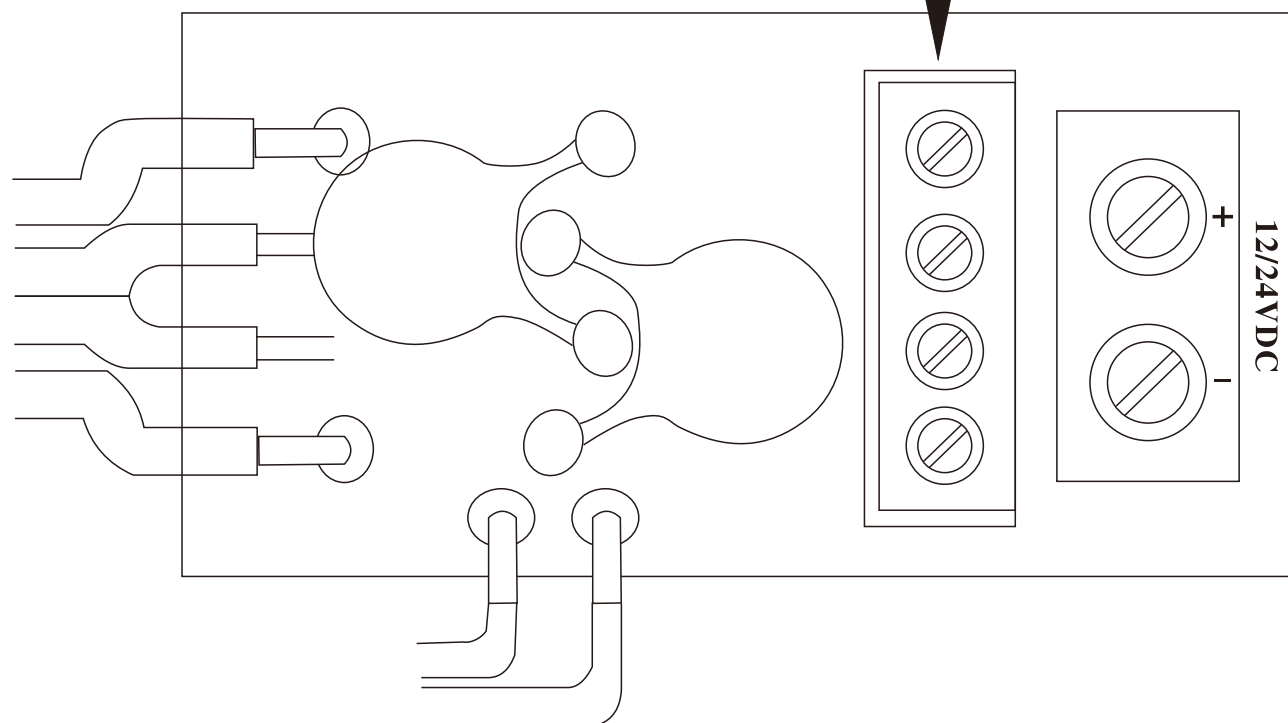
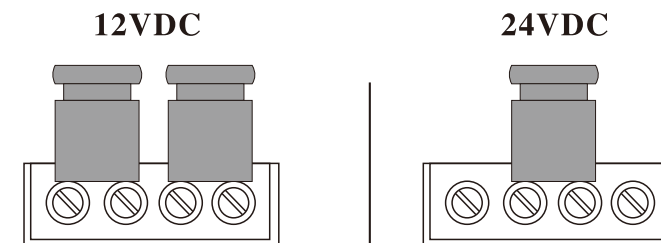


Mortice Mounted Door Holder W/Signal



Wiring Instructions



SPECIFICATIONS	
Dimensions	86Lx86Wx40H(mm)
Voltage Input	12VDC/24VDC(Adjustment)
Current Draw	12V/140mA 24V/70mA
Signal	NO(Green)/NC(Yellow)/COM(White)
Holding Force	50kg(110Lbs)
Anti-Rust Surface Treatment	Blue Zin Plating
Operating Temperature	0~55
Operating Humidity	0~95%
Weight	1.0kg
FEATURES:	
Dual Voltage Selectable(12VDC or 24VDC)	
Emergency Release Button/Test Button	
Wall Mounting Direction	
Low Current Consumption	
Reliable Fail-Safe Mechanism	
Durable and Silence Operation	